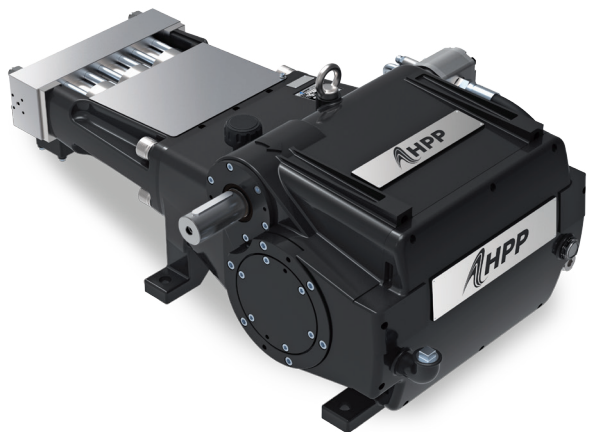



H-150 UAP



LEGEND

 With tungsten carbide plunger

 With forced lubrication










 Heat exchanger

 Vertical assembling

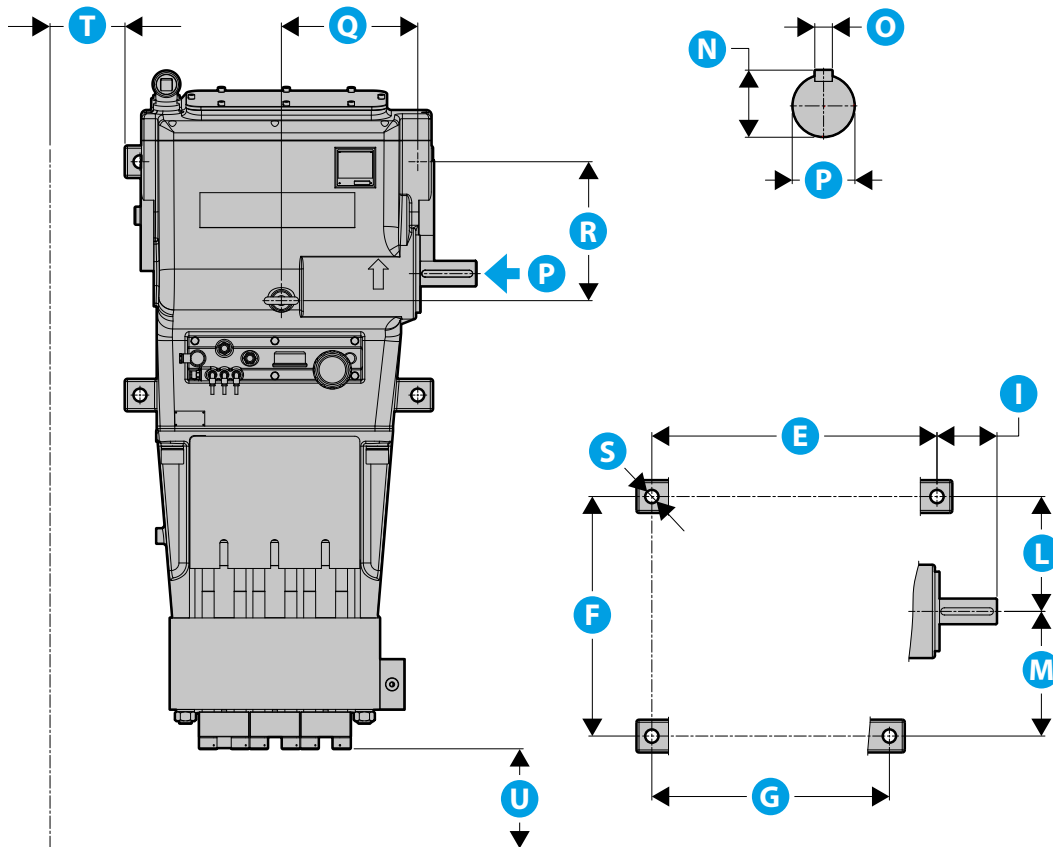
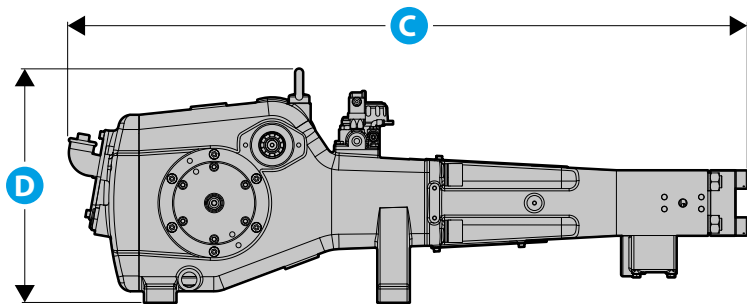
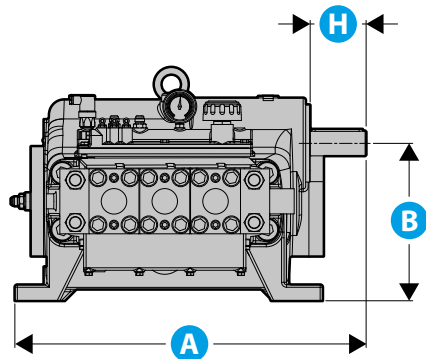
 Horizontal assembling

UAP SERIES UP TO 2800 BAR

 H-150 UAP   

 IV GENERATION	 IV GENERATION													
Code	Code	Ø mm	rpm	gear ratio	rpm	l/min	USgpm	bar	psi	MPa	HP	kW	kg	lb
P231553V14160	P231553H14160	16	1500	2,9	517	22,5	5,9	2800	40600	280	158,3	116,4	400	882
P231563V14160	P231563H14160		1800	3,6	502	21,8	5,8	2800	40600	280	153,5	112,9	400	882
P231553V14180	P231553H14180	18	1500	2,9	517	28,4	7,5	2200	31900	220	157,4	115,8	400	882
P231563V14180	P231563H14180		1800	3,6	502	27,6	7,3	2200	31900	220	152,6	112,3	400	882
P231553V14200	P231553H14200	20	1500	2,9	517	35,1	9,3	1800	26100	180	159,0	116,9	400	882
P231563V14200	P231563H14200		1800	3,6	502	34,0	9,0	1800	26100	180	154,2	113,4	400	882

DIMENSIONS



Pump Model		H-150 UAP
A	mm	699,5
	(in)	(27,54)
B	mm	265
	(in)	(10,43)
C	mm	1224
	(in)	(48,19)
D	mm	407,5
	(in)	(16,04)
E	mm	565
	(in)	(22,24)
F	mm	390
	(in)	(15,35)
G	mm	545
	(in)	(21,46)
H	mm	120,5
	(in)	(4,74)
I	mm	109,5
	(in)	(4,31)
L	mm	190
	(in)	(7,48)
M	mm	200
	(in)	(7,87)
N	mm	43
	(in)	(1,69)
O	mm	12 (DIN 6885)
	(in)	(0,47)
P	mm	ø 40 +0,018 +0,002
	(in)	(ø 1,57)
Q	mm	272,5
	(in)	(10,73)
R	mm	231
	(in)	(9,09)
S	mm	ø 26
	(in)	(ø 1,02)
T	mm	150
	(in)	(5,91)
U	mm	500
	(in)	(19,69)

PUMP ACCESSORIES

REGULATING VALVES



PNEUMATIC CONTROL VALVES



SAFETY VALVES



PRESSURE GAUGES

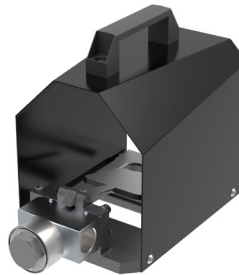


ACCESSORIES FOR WORK

DUMP SHUT GUNS / UNDERWATER GUNS / PNEUMATIC GUNS



DUMP TYPE FOOT VALVE



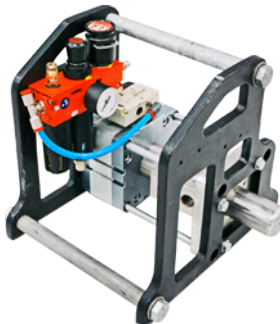
MULTI-JET

Multi-purpose surface. Preparation system for floors and hulls. 2800 bar (40K psi).



POWER BOX

3/2" Ultra High Pressure control valve to control the gun's water flow and/or operate with a multi-gun system.



HIGH PRESSURE HOSES
ULTRA HIGH PRESSURE HOSES



FLEXIBLE LANCE NOZZLES
RIGID LANCE NOZZLES



HIGH PRESSURE SWIVEL FOR HOSES



ROTATING NOZZLES



PROTECTIVE CLOTHING FOR WATERJETTING (TST)



FLEXIBLE LANCES / RIGID LANCES



"TURBO" NOZZLES





Distributed by: / Distribuito da:

P.T.C. Srl › via Mantegna, 4 - 42048 Rubiera (RE) - Italy

Phone: +39 0522/1932911 › Fax: +39 0522/1932922

mail: info@ptcitaliana.com › website: www.ptcitaliana.com
