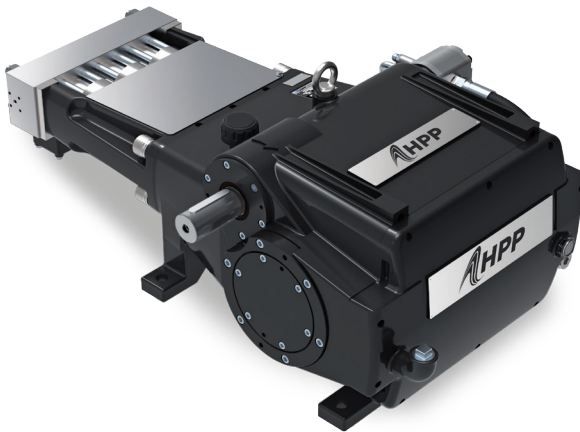



H-200 UAP



LEGEND

 With tungsten carbide plunger

 With forced lubrication



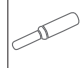





 Heat exchanger

 Vertical assembling

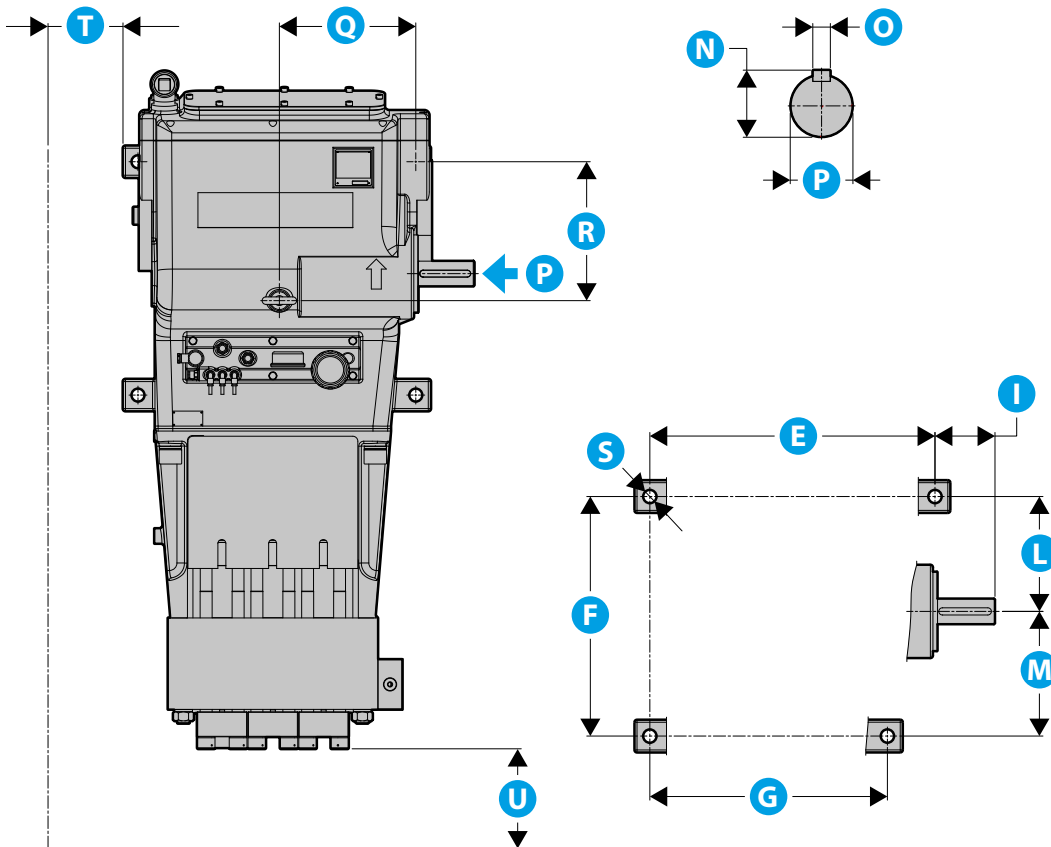
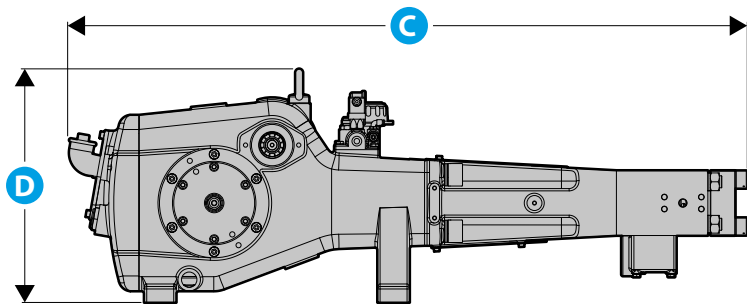
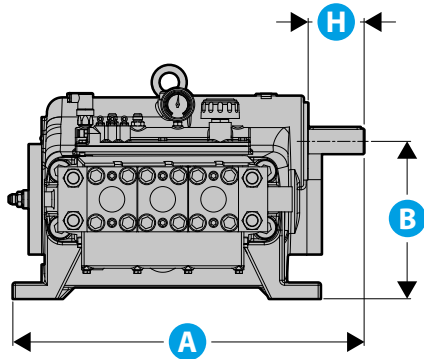
 Horizontal assembling

UAP SERIES UP TO 2800 BAR

 H-200 UAP   

 IV GENERATION	 IV GENERATION		Motor Engine		Crankshaft									
Code	Code	Ø mm	rpm	gear ratio	rpm	l/min	USgpm	bar	psi	MPa	HP	kW	kg	lb
P232053V14160	P232053H14160	16	1500	3,14	478	26,0	6,9	2800	40600	280	183,0	134,6	500	1103
P232063V14160	P232063H14160		1800	3,79	475	25,8	6,8	2800	40600	280	181,7	133,6	500	1103
P232053V14180	P232053H14180	18	1500	3,14	478	32,8	8,7	2500	36250	250	206,7	152,1	500	1103
P232063V14180	P232063H14180		1800	3,79	475	32,6	8,6	2500	36250	250	205,3	151,0	500	1103
P232053V14200	P232053H14200	20	1500	3,14	478	40,6	10,7	2000	29000	200	204,2	150,2	500	1103
P232063V14200	P232063H14200		1800	3,79	475	40,3	10,6	2000	29000	200	202,8	149,2	500	1103

DIMENSIONS



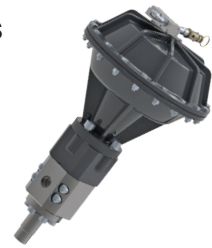
Pump Model		H-200 UAP
A	mm	703
	(in)	(27,68)
B	mm	315
	(in)	(12,40)
C	mm	1357
	(in)	(53,43)
D	mm	467,5
	(in)	(18,41)
E	mm	556
	(in)	(21,89)
F	mm	467
	(in)	(18,39)
G	mm	556
	(in)	(21,89)
H	mm	112
	(in)	(4,41)
I	mm	117
	(in)	(4,61)
L	mm	224
	(in)	(8,82)
M	mm	243
	(in)	(9,57)
N	mm	53,5
	(in)	(2,11)
O	mm	14 (DIN 6885)
	(in)	(0,55)
P	mm	ø 50 +0,018 +0,002
	(in)	(ø 1,97)
Q	mm	273
	(in)	(10,75)
R	mm	278
	(in)	(10,94)
S	mm	ø 26
	(in)	(ø 1,02)
T	mm	150
	(in)	(5,91)
U	mm	500
	(in)	(19,69)

PUMP ACCESSORIES

REGULATING VALVES



PNEUMATIC CONTROL VALVES



SAFETY VALVES



PRESSURE GAUGES

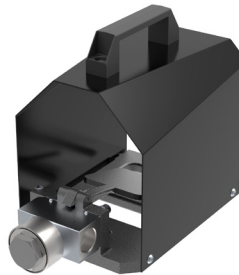


ACCESSORIES FOR WORK

DUMP SHUT GUNS / UNDERWATER GUNS / PNEUMATIC GUNS



DUMP TYPE FOOT VALVE



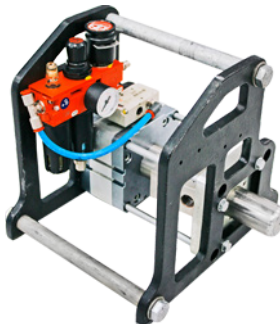
MULTI-JET

Multi-purpose surface. Preparation system for floors and hulls. 2800 bar (40K psi).



POWER BOX

3/2" Ultra High Pressure control valve to control the gun's water flow and/or operate with a multi-gun system.



HIGH PRESSURE HOSES
ULTRA HIGH PRESSURE HOSES



FLEXIBLE LANCE NOZZLES
RIGID LANCE NOZZLES



HIGH PRESSURE SWIVEL FOR HOSES



ROTATING NOZZLES



PROTECTIVE CLOTHING FOR WATERJETTING (TST)



FLEXIBLE LANCES / RIGID LANCES



"TURBO" NOZZLES





Distributed by: / Distribuito da:

P.T.C. Srl › via Mantegna, 4 - 42048 Rubiera (RE) - Italy

Phone: +39 0522/1932911 › Fax: +39 0522/1932922

mail: info@ptcitaliana.com › website: www.ptcitaliana.com
